

Old Testament Bible Stories

Unit Focus:

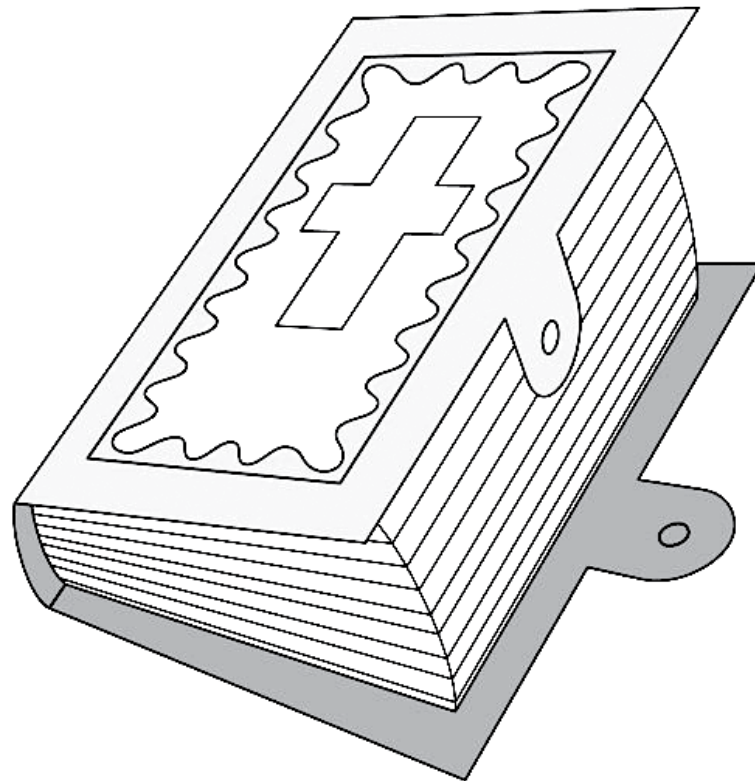
Students explore the Bible as a sacred book of our faith's history, containing the Word of God. They focus on scripture from the Old Testament and are introduced to new people who played an integral role in God's work.

Students are challenged to:

- Recognise God's presence in the world.
- Show reverence to and appreciation towards the Bible

In Class:

Students explore the story of Abraham and Issac, relating the story to their own lives by recognising opportunities they have to obey God (listening to and obeying the loving adults in their lives).



People of Old Times

Aim: Learn about people from the Old Testament.

Take these pictures home and tell your family one of the stories of people from the old times.

